



# SELC Internal Networked Lighting Controller

Secure, proven, two-way lighting control for any deployment

The SELC Internal Networked Lighting Controller (NLC) with embedded Itron communications provides reliable, secure, two-way control and monitoring for outdoor street and area lighting. Control and visibility allow for longer-life luminaires, rapid repair, accurate energy monitoring and operations reporting. The Internal NLC is a perfect choice where luminaire design or other considerations precludes external mounting NLC.

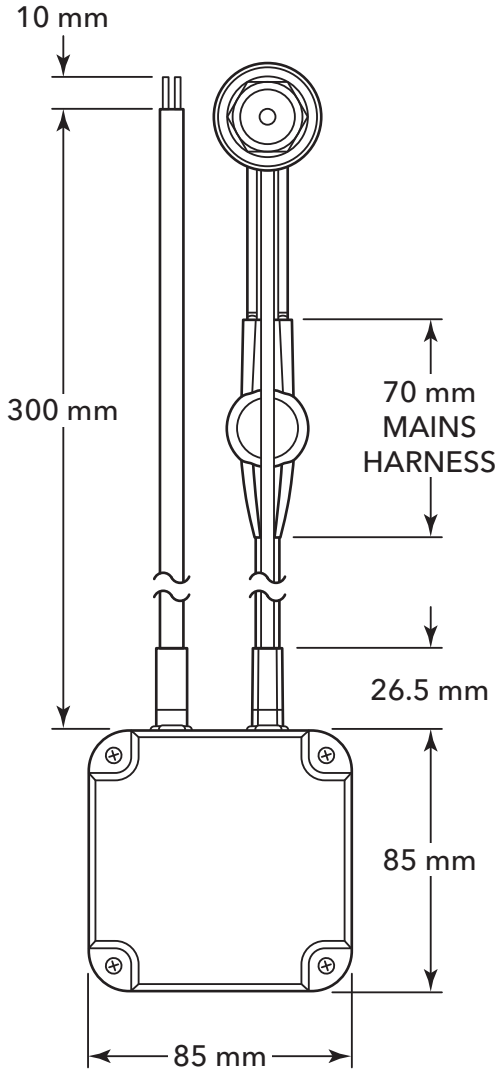
SELC NLCs are coupled with integrated Itron industrial IoT (IIoT) communications and work with Streetlight.Vision (SLV) Central Management Software (CMS) front end software to provide the best-in-class solution for the efficient operation of luminaires. The robust capabilities and use of open standards such as IPv6 allow the network to support additional smart city applications such as traffic-light control, electricity/gas/water metering, parking automation and other networked applications for enhanced operational efficiency and quality of life.

The Itron solution includes multi-layer security policy enforcement and monitoring with end-to-end encryption (WES-128/256) and access control to ensure protection of critical infrastructure and data. Deployment options are flexible and affordable, including full product licensing or CMS-as-a-service.

#### Key Benefits of the Internal CMS Module:

- » Proven SELC quality and reliability with over 30 years of lighting control experience
- » Proven Itron networking technology – Over 67 million connected devices
- » Up to 65% energy savings when deployed in conjunction with LED lights
- » Up to 40% operational savings when deployed in conjunction with LED lights
- » Robust multilayer security with end-to-end encryption and full PKI (X.509) infrastructure
- » Redundant, auto-healing, auto-configuring network using open standards such as IPv6 and IEEE 802.15.4g
- » Over-the-air configuration and firmware upgrades
- » Scalable from small pilots to metropolitan or country-wide deployments
- » Energy metrology at 1% accuracy, with per day, per hour, or per minute records and robust utility billing integration
- » Infrared Meter Calibration Interface

**SELC INTERNAL NLC SECURE, PROVEN, TWO-WAY LIGHTING CONTROL**



**Technical Specifications**

Metering Accuracy	0.5% and 1% Energy Accuracy available
Metering Range	105-305 VAC, 10A RMS Full Accuracy to ANSI C12.20
Turn ON Light Level	16 or 35 Lux (1.5 or 3.25 fc), other levels available on request. Can also be set by schedule or function by schedule only with photocell removed option.
Housing Material	UV Stabilized Polycarbonate
Enclosure Sealing	IP65
Dimensions	85 mm L x 85 mm W x 61.5 mm H with 300 mm wiring harness; Weight 295g
Switch Ratio (OFF:ON)	Typically 1.5:1; or configurable to your requirements. OFF level may be set by schedule or function by schedule only with photocell removed option.
Warranty	10 years
Rated Load	1000W / 1800VA
Maximum Load Current	8 Amps
Operating Temperature Range	-40°C to +70° C (-40°F to +158°F)
Circuit Power Consumption	<2Watts Avg Power @120 VAC
Manufacturing Standard	EN ISO 9001:2008
Photo Control designed to satisfy the following standards	Applicable parts of BS5972 EMC EN55015, EN61547, EN61000-3-2, EN61000-3-3, UL773A, CSA C22.2
Operating Voltage	105 – 305VAC (50/60Hz)
Compliance	RoHS, FCC, CE
Options for controlling LED driver for dimming	DALI, 0-10V, Universal Auto-Detect
Itron Networking Specification	Powerful 1-watt radio, Frequency-Hopping Spread Spectrum up to 300kb/s mesh networking Automatic data routing with self-configuration, auto-healing & redundant uplinks IPv6 transport Full application & link-layer security with full PKI, AES-128 and -256, and embedded firewall
MOV Protection	420J, 20kV/10kA; Exceeds Extreme Surge requirements of ANSI C136.10



Join us in creating a more **resourceful world**.  
To learn more visit **itron.com**

**CORPORATE HQ**  
2111 North Molter Road  
Liberty Lake, WA 99019 USA  
**Phone:** 1.800.635.5461  
**Fax:** 1.509.891.3355

While Itron strives to make the content of its marketing materials as timely and accurate as possible, Itron makes no claims, promises, or guarantees about the accuracy, completeness, or adequacy of, and expressly disclaims liability for errors and omissions in, such materials. No warranty of any kind, implied, expressed, or statutory, including but not limited to the warranties of non-infringement of third party rights, title, merchantability, and fitness for a particular purpose, is given with respect to the content of these marketing materials. © Copyright 2022 Itron. All rights reserved. 101876SP-01 02/22