



EquaScan pMIU^{RF}

Wireless pulse module for automated data logging of pulse-emitting meters

The intelligent Itron EquaScan wireless pulse module pMIU^{RF} has been developed for the automated data logging of pulse-emitting measuring devices. It enables the integration of all pulse-emitting meters into an Itron EquaScan radio system, either mobile or central way.

FEATURES

- » Flexible use
- » Bidirectional year-round wireless communication
- » Can be integrated into the wireless system at any time
- » Easy to set up and put into operation
- » Comprehensive data protocol
- » Reliable and secure recording of measured data

Flexibility

The Itron EquaScan pMIU^{RF} has been developed to integrate pulse-emitting measuring devices, including third-party devices, into the innovative EquaScan wireless system. The module can be used to record data both in mobile and fixed EquaScan networks.

Secure data transmission

The bidirectional wireless system transfers the data on 868 MHz. A short data protocol is transmitted all year round. This feature enables full access to the data 365 days a year. In addition, the bidirectional system permits the targeted query of additional data for analyses and evaluations.

Continuous data recording

The pulse recognition using cable break detection ensures synchronisation between the meter and the wireless module. The reliability of the consumption data is the basis for correct billing.

Comprehensive data protocol

The following data is supplied in the short protocol:

- » Current meter reading
- » Billing date reading
- » Identification number
- » Configuration data
- » Error messages

Optionally, additional information can be retrieved, e.g.:

- » 18 month-end and mid-month readings
- » Optional leakage or return losses
- » Comprehensive log protocol

Easy to set up and put into operation

Pulse-emitting measuring devices can be integrated via the module into an existing mobile or fixed EquaScan wireless system in a few steps. It is put into operation quickly and easily on site with the aid of a PC via the EquaScan inductive head and the EquaScan software.

Primary MIU Pulse Input	
Meter type	Water
Nb. digits on meter	8
Meter index	No default value
Input Selection	Static
Pulse Value	1 L/Pul.
Index unit	L
Leakage threshold	0 Pul./H

Secondary MIU Pulse Input	
Input Selection	Direction Backflow Inp
Nb. digits on meter	8
Meter index	No default value
Pulse Value	1 L/Pul.



pMIU^{RF} with inductive head

Technical data

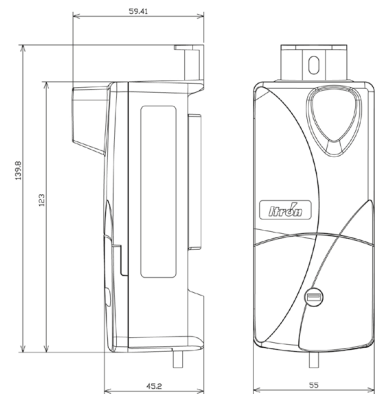
Characteristics

Power supply	3,6 V battery (lithium)
Battery life	12 years + 1 year reserve
Operating temperature range	0°C...+55°C
Protection class	IP 68
Data storage	18 month-end consumption and mid-month consumption
Parametrisation	via an inductive interface
Compatible devices	Specification of the pulse output: - $f_{max} \leq 17$ Hz - Minimum pulse length ("Closed") ≥ 5 ms - Minimum pulse pause ("Open"): 30 ms

Radio specifications

Protocol	EN 13757-3:2013 / EN 13757-4:2013 wireless M-Bus
Operating mode	C2 Mode
Frequency band	Tx 868,95 MHz Rx 869,525 MHz
Transceiver parameters	Transmitter: 10dBm Receiver: -98dBm

Dimensions



Join us in creating a more **resourceful world**.
To learn more visit itron.com

While Itron strives to make the content of its marketing materials as timely and accurate as possible, Itron makes no claims, promises, or guarantees about the accuracy, completeness, or adequacy of, and expressly disclaims liability for errors and omissions in, such materials. No warranty of any kind, implied, expressed, or statutory, including but not limited to the warranties of non-infringement of third party rights, title, merchantability, and fitness for a particular purpose, is given with respect to the content of these marketing materials. © Copyright 2016 Itron. All rights reserved. **SYS-0058.0-EN-11.16**

ITRON METERING

Allmess GmbH
Am Voßberg 11
23758 Oldenburg i.H.
Germany

Phone: +49 4361 625-0

Fax: +49 4361 625-250